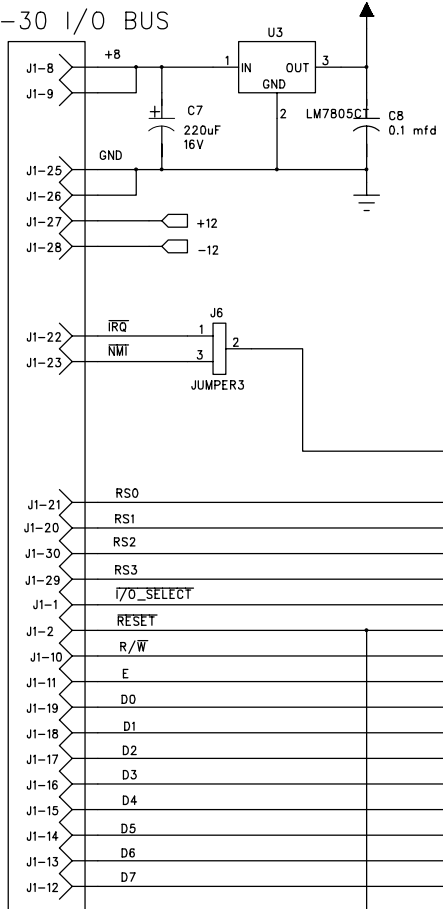
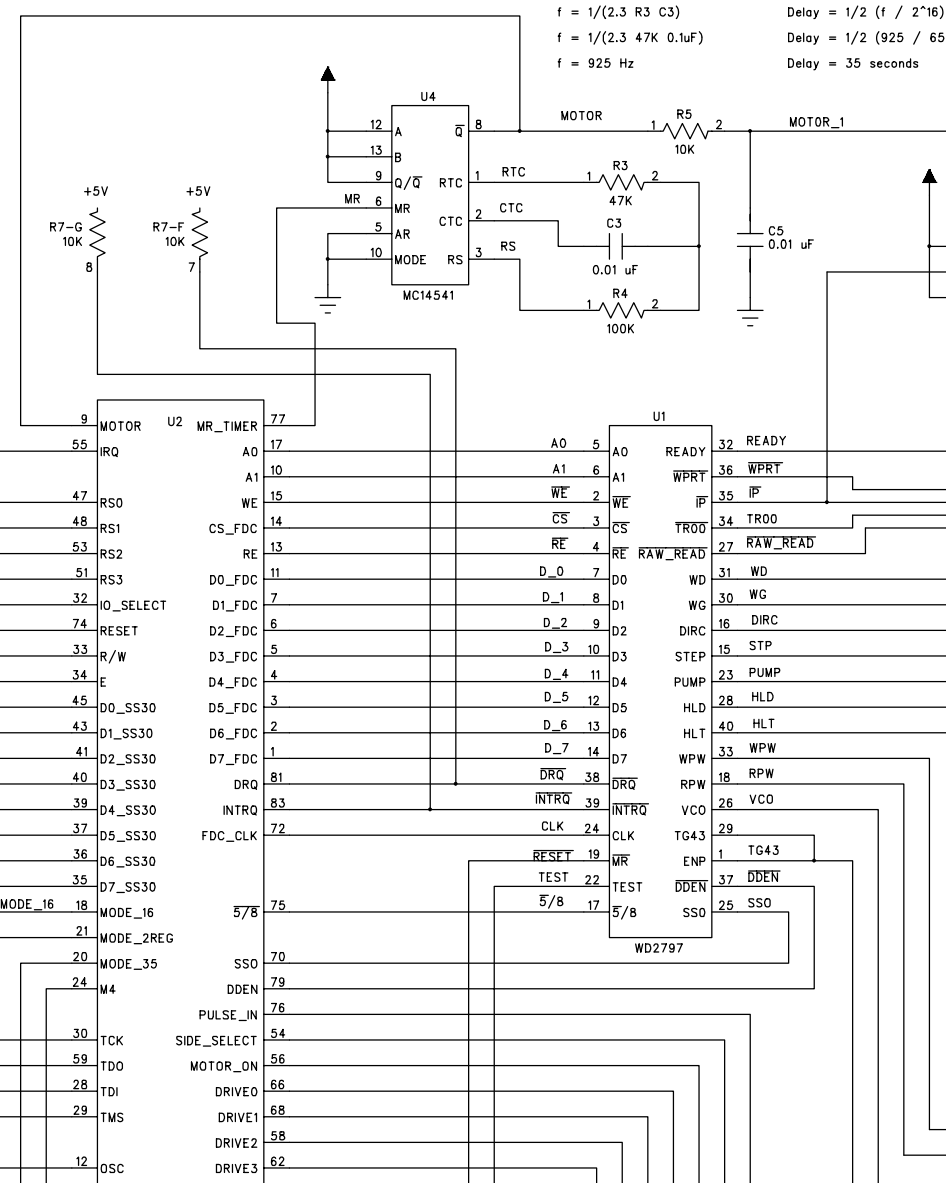


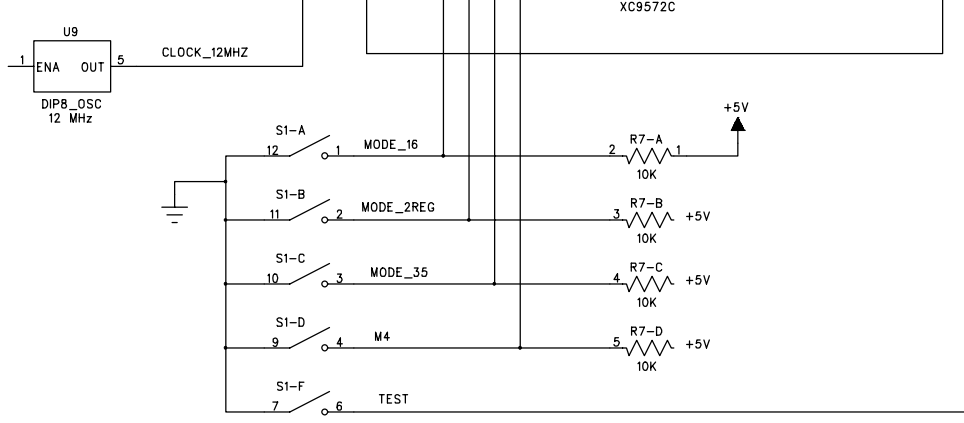
SS-30 I/O BUS



f on U4 pin 1
 pulse on U4 pin 8
 $f = 1/(2.3 R3 C3)$
 $f = 1/(2.3 47K 0.01\mu F)$
 $f = 925 \text{ Hz}$
 Delay = $1/2 (f / 2^{16})$
 Delay = $1/2 (925 / 65)$
 Delay = 35 seconds



JTAG Programming



I on U4 pin 1

pulse on U4 pin 8

Delay = 1/2 (926 / 65536)
on ds

